

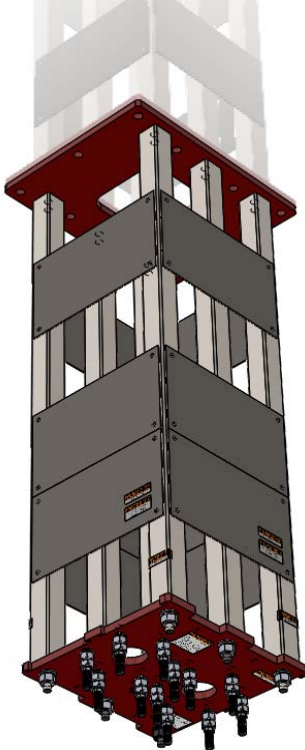
6.2-032620



Contractor's Summary for

IntegraMount™ 6.2 Superstructure

For Tandem Mounted Medical Equipment Systems



WARNING

This summary's dimensional and loading data must be used in preparing the site for the *IntegraMount™* Superstructure installation. If these specifications are not used it may damage the products, the building or cause injury to personnel.

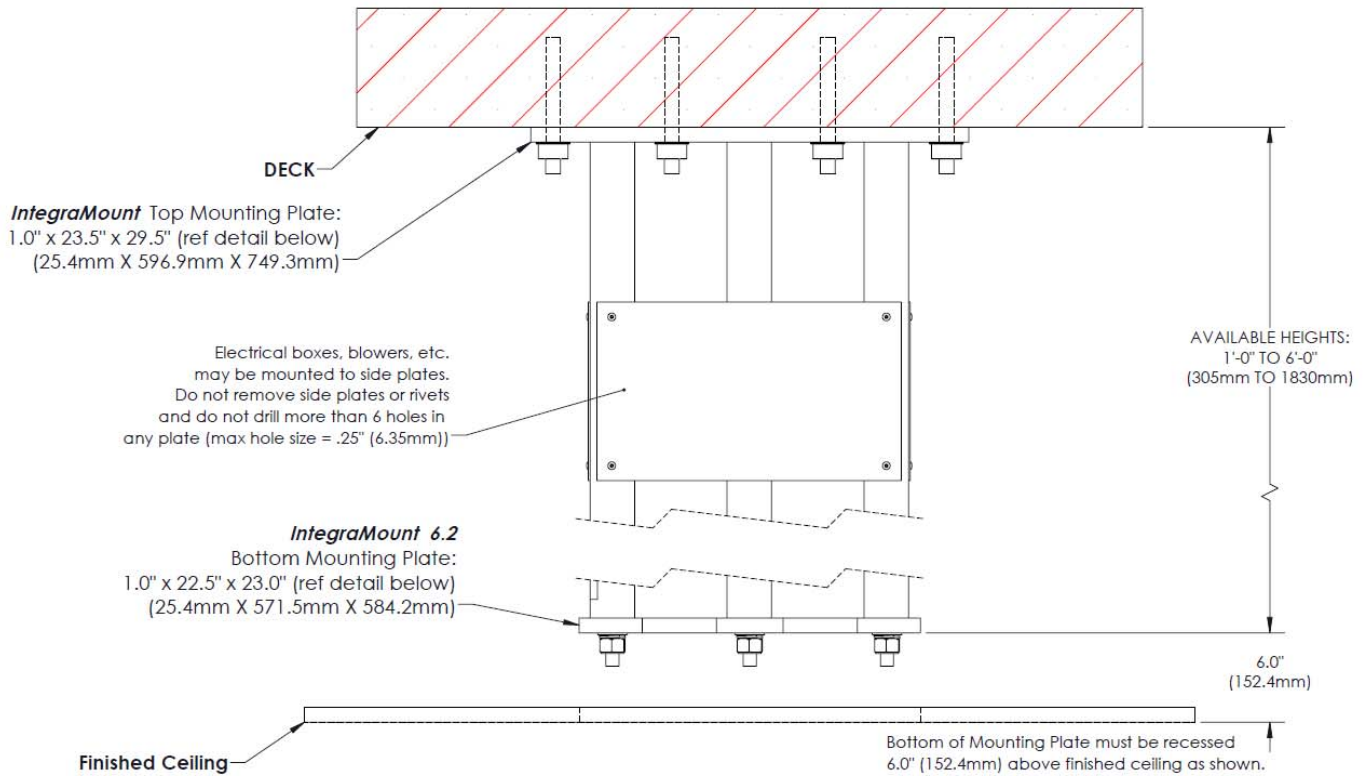
SYSTEM DESCRIPTION

The **IntegraMount™ 6.2 Superstructure** is designed, engineered and manufactured to meet rigid design specifications. It is an adaptable system that may be ordered in a variety of heights ranging from 1' to 6' and will support overhead mounted equipment systems. The **IntegraMount™ 6.2 Superstructure** is designed for tandem equipment mounting applications. System comes pre-assembled and prepared for installation by contractor and/or customer designated contractor.

| Supported Maximum Weight and Moment (Value Applied Simultaneously at Each Mounting Point) | |
|--|-------------------------|
| Weight | Moment |
| 801 Lb / 363 Kg | 4,071 Ft Lb / 5,536 N-m |

Summary for *IntegraMount*™ 6.2

General Information

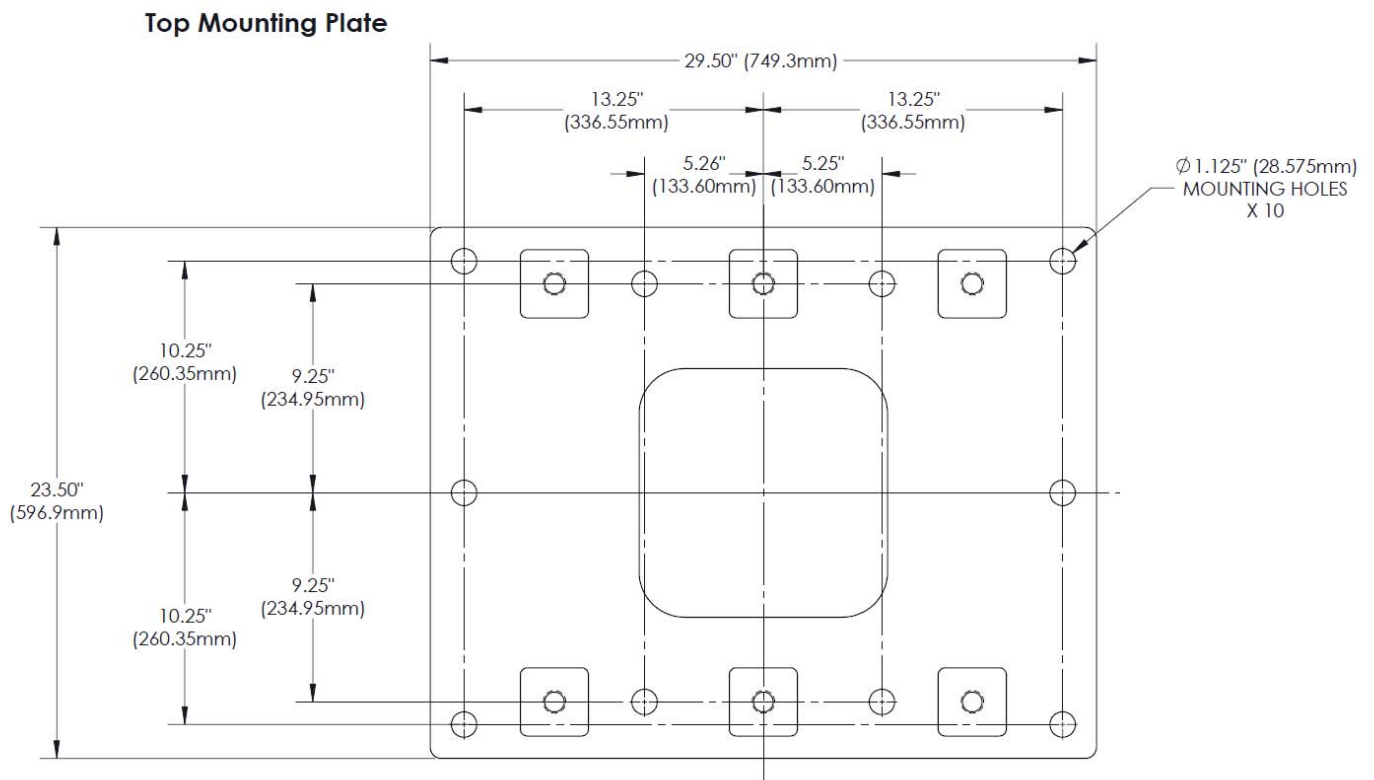


IntegraMount™ 6.2 Static Weight by Length

| Length (in) | Weight (lbs) |
|-------------|--------------|
| 12 | 336.88 |
| 24 | 369.90 |
| 36 | 431.00 |
| 48 | 494.10 |
| 60 | 525.12 |
| 72 | 588.22 |

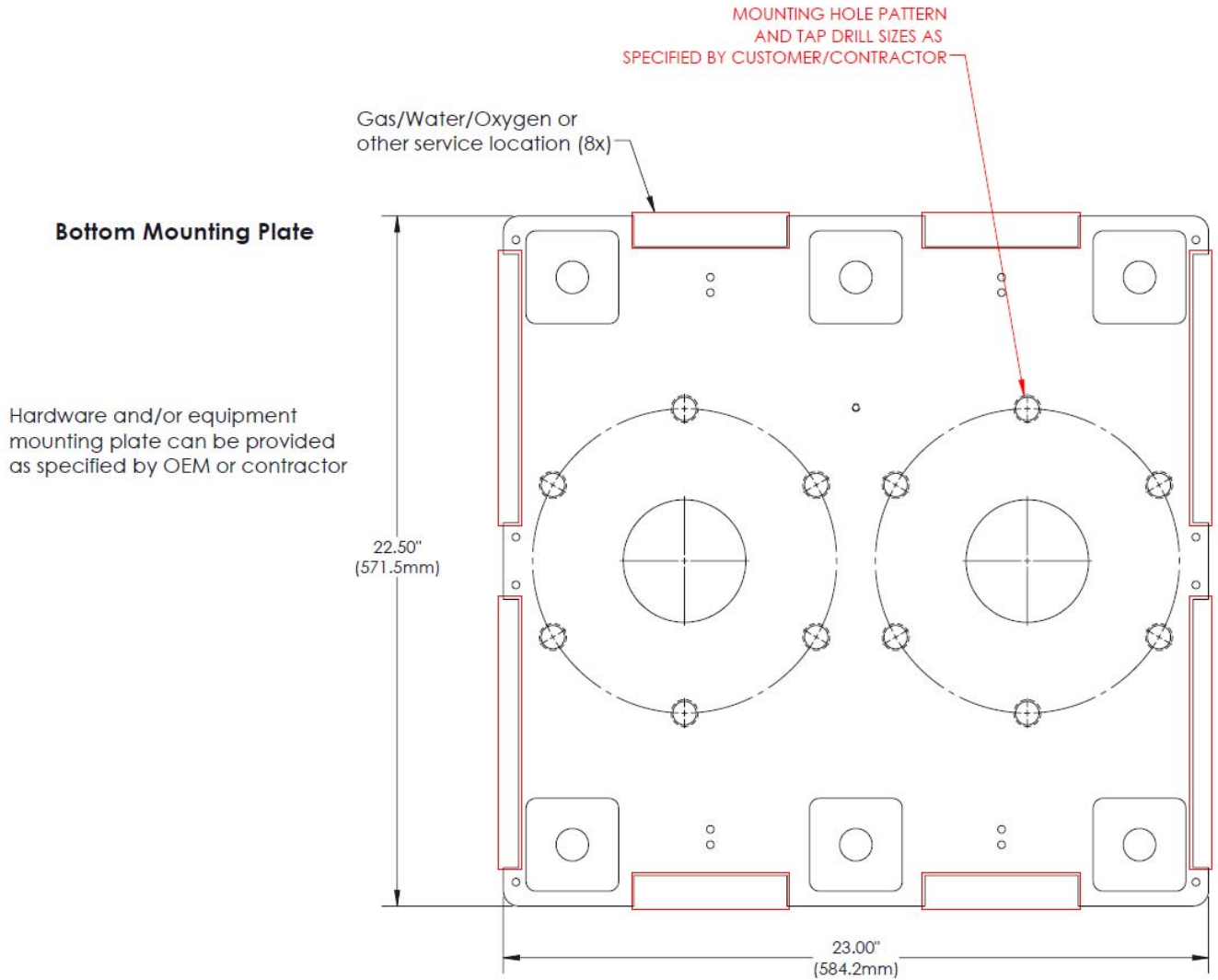
Summary for *IntegraMount™* 6.2

Mounting Plates



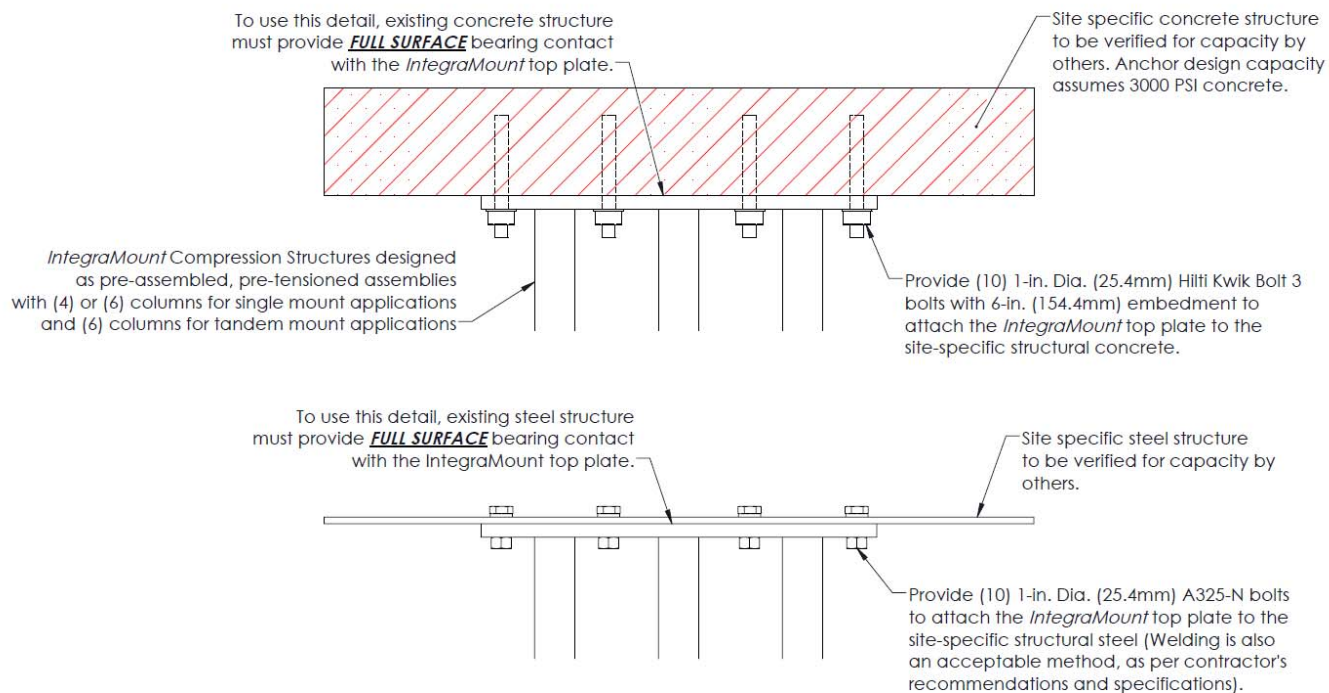
Summary for *IntegraMount*™ 6.2

Mounting Plates



Summary for *IntegraMount*™ 6.2

Mounting Detail for Site Preparation



IMSG is responsible for:

1. Providing a PE-certified ceiling structure and mounting instructions, designed, engineered and manufactured to meet rigid medical industry and IMSG Brand design specifications. Compression Structure to be shipped pre-assembled.

Buyer or buyer's designee is responsible for:

1. Providing building structural detail drawings (interstitial height required).
2. Ensuring that the existing sub-structure and building deck to which the *IntegraMount* Superstructure is attached is able to withstand the loads imposed upon it by the equipment/products they are mounting.
3. Sub-structural and/or building deck work to prepare the installation site to accept IMSG brand structure.
4. All installation required to mount the *IntegraMount* as per its design specifications.

Summary for *IntegraMount*™ 6.2

Accessory Mounting and Warning Labels

WARNING

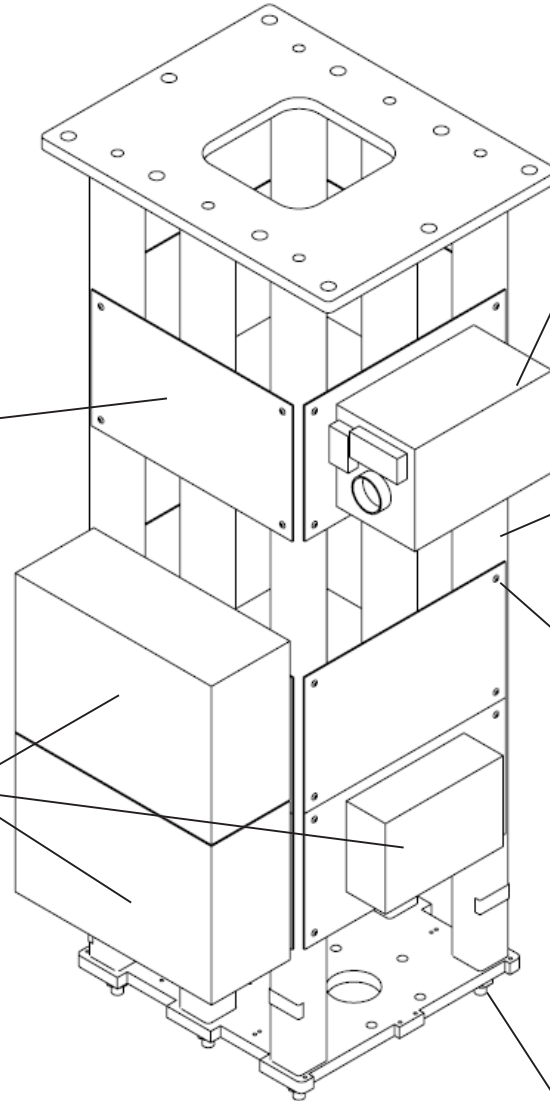
Installation must be in accordance of *IntegraMount*™ specifications and to site prepared by contractor and/or engineer of record.

Max Load Per Mount:
Wt: 801lbs Moment: 4071ft-lbs

WARNING

Do not drill more than 6 holes in any plate.
Max Hole Size = .25" (6.35m)

Suggested electrical box mounting locations



Suggested mounting locations for other ancillary equipment

WARNING

Do not drill into any vertical supports

WARNING

Do not remove rivets

WARNING

Do not loosen, tighten or remove pre-tensioned nuts

IMPORTANT CONTRACTOR NOTES

The *IntegraMount*™ Superstructures are certified to meet a criteria to limit rotation to <.1 degree at all mounting locations, in all directions, at the bottom mounting plate according to the load limit design specifications listed in this summary. This is achieved when adequately installed with **FULL SURFACE** bearing contact to the top mounting plate.

It is required that the contractor and their own professionals verify the structure, in which the IntegraMount Superstructure is mounted, meets the necessary structural requirements to install the IntegraMount, as well as any equipment and/or accessories they are installing directly to or on the IntegraMount.